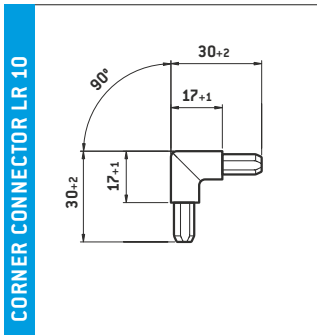


Accessories

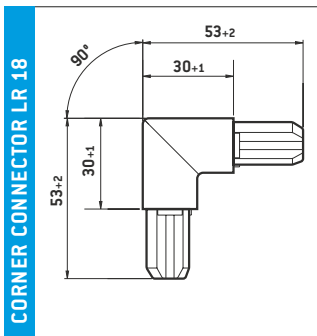
Corner connectors

Type LR, type LE.



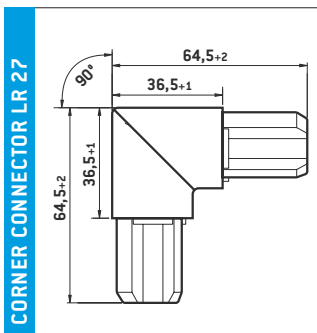
Material	Item number	Weight kg
Stainless steel cast alloy		
GX5CrNi19-10		
// polished grain 320	100859	0.02

Suitable for profile edging LR 10



Material	Item number	Weight kg
Fine zinc alloy		
GD-ZNAL4CU1 (Z410)	100701	0.10
Stainless steel cast alloy		
GX5CrNi19-10		
// polished grain 320	100702	0.12

Suitable for profile edging LR 18



Material	Item number	Weight kg
Fine zinc alloy		
GD-ZNAL4CU1 (Z410)	101299	0.20
Stainless steel cast alloy		
GX5CrNi19-10		
// polished grain 320	100860	0.26

Suitable for profile edging LR 27