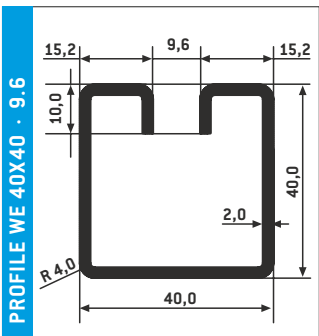


Material	Material thickness in mm	Slot width in mm	Item number	Weight kg/m
Steel	2.00	7.5	100681	2.39

Profile length 3000 mm
Suitable for sheet thickness of 7.5 mm



Material	Material thickness in mm	Slot width in mm	Item number	Weight kg/m
Steel	2.00	9.6	100682	2.36

Profile length 3000 mm
Suitable for sheet thickness of 9.6 mm