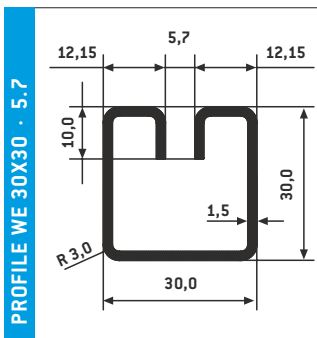


Accessories

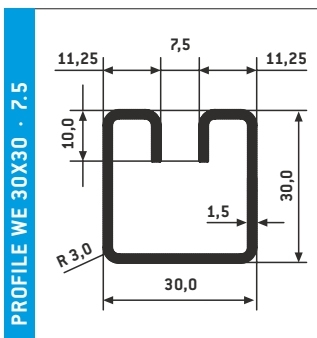
Profile edgings

Type WE.



Material	Material thickness in mm	Slot width in mm	Item number	Weight kg/m
Steel				
	1.50	5.7	100679	1.43
Pre-galvanised				
DX51D	1.50	5.7	100684	1.43
Stainless steel				
X5CrNi18-10 2B AISI 304	1.50	5.7	101240	1.43

Profile length 3000 mm
Suitable for sheet thickness of 5.7 mm



Material	Material thickness in mm	Slot width in mm	Item number	Weight kg/m
Steel				
	1.50	7.5	100680	1.40
Pre-galvanised				
DX51D	1.50 M	7.5	100685	1.40
Stainless steel				
X5CrNi18-10 2B AISI 304	1.50	7.5	100688	1.40

Profile length 3000 mm
Suitable for sheet thickness of 7.5 mm