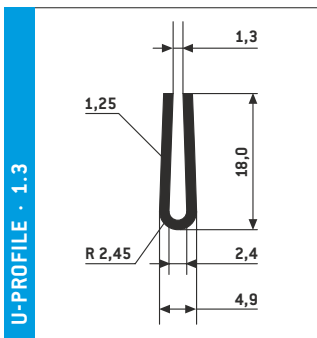


Accessories

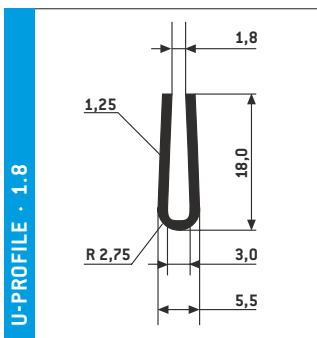
Profile edgings

U-profiles, type SE.



Material	Material thickness in mm	Slot width in mm	Item number	Weight kg/m
Pre-galvanised				
DX51D	1.25 M	1.3	100696	0.36
Stainless steel				
X5CrNi18-10 2B AISI 304	1.25	1.3	100699	0.36

Profile length 3000 mm
Suitable for sheet thickness of 1.5 mm



Material	Material thickness in mm	Slot width in mm	Item number	Weight kg/m
Pre-galvanised				
DX51D	1.25	1.8	100697	0.36
Aluminium				
EN AW-1050A H24	1.25	1.8	101186	0.12
Stainless steel				
X5CrNi18-10 2B AISI 304	1.25	1.8	100700	0.36

Profile length 3000 mm
Suitable for sheet thickness of 2.0 mm