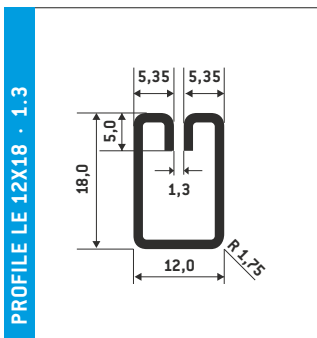


Accessories

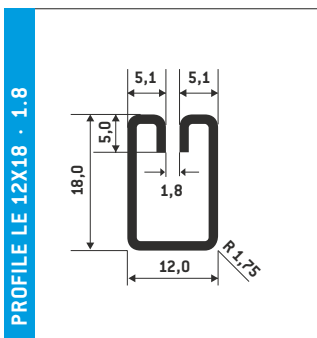
Profile edgings

Type LE, type LD, type LT.



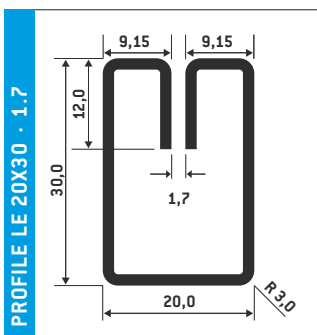
Material	Material thickness in mm	Slot width in mm	Item number	Weight kg/m
Steel				
	1.25	1.3	101367	0.55
Pre-galvanised				
DX51D	1.25	1.3	101368	0.55
Stainless steel				
X5CrNi18-10 2B AISI 304	1.25	1.3	100772	0.55
// polished grain 320	1.25 M	1.3	100943	0.55

Profile length 3000 mm
Suitable for sheet thickness of 1.5 mm



Material	Material thickness in mm	Slot width in mm	Item number	Weight kg/m
Steel				
	1.25	1.8	100771	0.56
Aluminium				
EN AW-1050A H24	1.25	1.8	101183	0.19

Profile length 3000 mm
Suitable for sheet thickness of 2.0 mm



Material	Material thickness in mm	Slot width in mm	Item number	Weight kg/m
Steel				
	1.50 M	1.7	100656	1.27
Pre-galvanised				
DX51D	1.50	1.7	100663	1.27
Aluminium				
EN AW-1050A H24	1.50	1.7	100673	0.44
Stainless steel				
X5CrNi18-10 2B AISI 304	1.50	1.7	100668	1.27
// polished grain 320	1.50 M	1.7	100677	1.27

Profile length 3000 mm
Suitable for sheet thickness of 2.0 mm