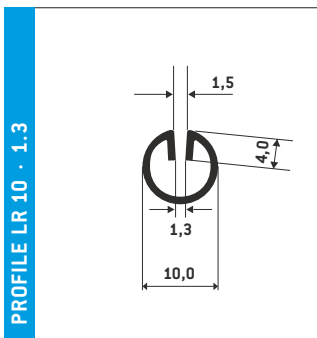


# Accessories

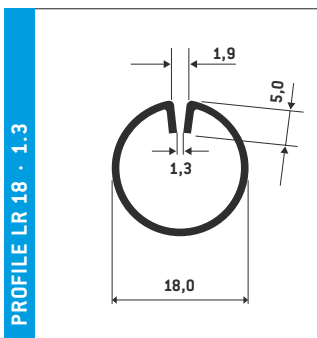
## Profile edgings

Type LR.



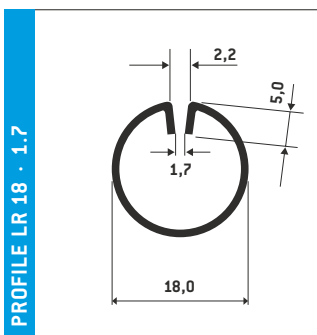
Material	Material thickness in mm	Slot width in mm	Item number	Weight kg/m
<b>Steel</b>				
	1.00 <b>M</b>	1.3	100766	0.24
<b>Stainless steel</b>				
X5CrNi18-10 2B AISI 304	1.00	1.3	100768	0.24
// polished grain 320	1.00 <b>M</b>	1.3	100944	0.24

Profile length 3000 mm  
Suitable for sheet thickness of 1.5 mm



Material	Material thickness in mm	Slot width in mm	Item number	Weight kg/m
<b>Stainless steel</b>				
X5CrNi18-10 2B AISI 304	1.25	1.3	101492	0.57
// polished grain 320	1.25 <b>M</b>	1.3	101493	0.57

Profile length 3000 mm  
Suitable for sheet thickness of 1.5 mm



Material	Material thickness in mm	Slot width in mm	Item number	Weight kg/m
<b>Steel</b>				
	1.25	1.7	100654	0.57
<b>Pre-galvanised</b>				
DX51D	1.25 <b>M</b>	1.7	100661	0.57
<b>Aluminium</b>				
EN AW-1050A H24	1.25	1.7	100671	0.20
<b>Stainless steel</b>				
X5CrNi18-10 2B AISI 304	1.25	1.7	100666	0.57
// polished grain 320	1.25	1.7	100675	0.57

Profile length 3000 mm  
Suitable for sheet thickness of 2.0 mm